

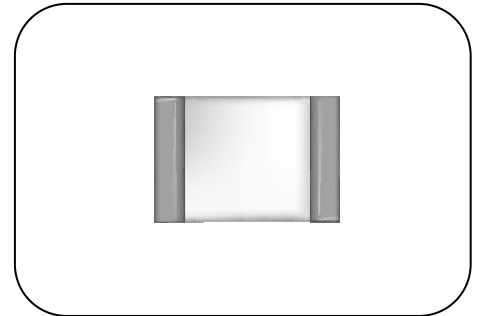
Gas Discharge Tube: GS22Y Series



SMD L3.2 x W1.6 x H1.6 mm Type

■ Features

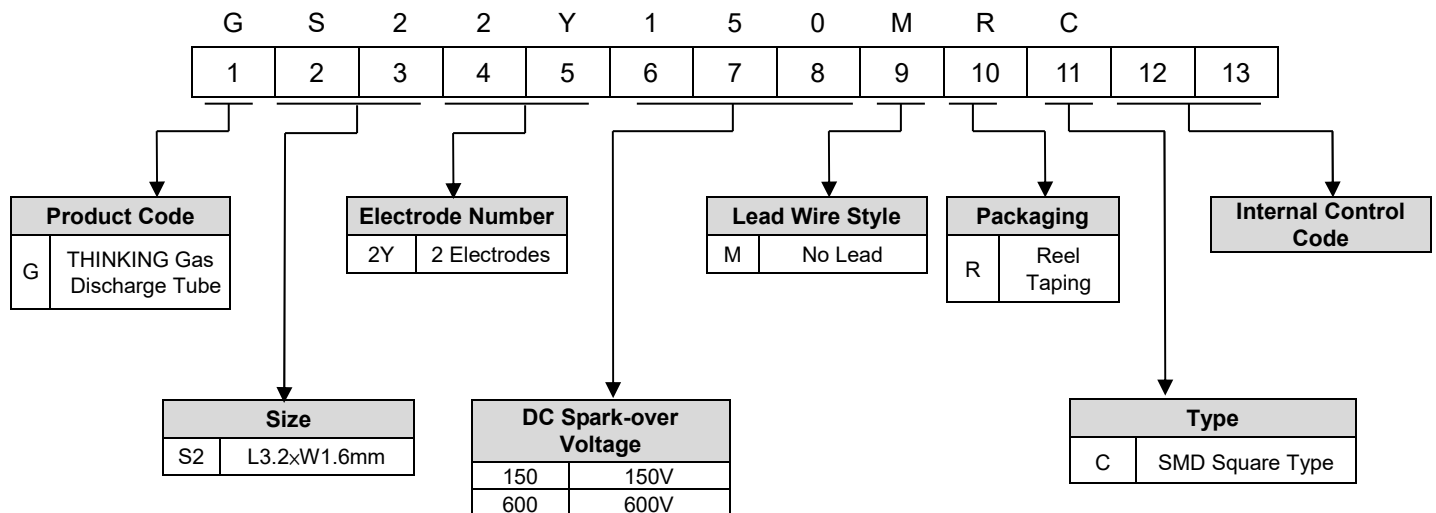
1. RoHS & HF compliant
2. SMD structure
3. DC spark-over voltage: 150~500V
4. Low capacitance
5. Agency recognition: UL
6. Operating temperature: -40°C ~ +125°C
Storage temperature: -40°C ~ +125°C



■ Recommended Applications

1. Cable modem
2. xDSL
3. Set-top box
4. TV sets
5. Ethernet port
6. Consumer electronics

■ Part Number Code



Gas Discharge Tube: GS22Y Series



SMD L3.2 x W1.6 x H1.6 mm Type

■ Characteristics

Part No.	DC Spark-over Voltage	Max. Impulse Discharge Current	Impulse Withstanding Voltage Capacity	Normal Alternating Discharge Current	Impulse Life	Minimum Insulation Resistance	Maximum Capacitance	Safety Approvals
	100V/S	8/20 μ s	10/700 μ s	50Hz, 1Sec	8/20 μ s,50A	@DC 100V	1MHz	UL 497B
	(V)	(A)	(KV)	(A)	(次)	(M Ω)	(pF)	
GS22Y150MRC	105~195	500A (Positive/ Negative 5 Times)	6KV R=40 Ω (Positive/ Negative 5 Times)	0.5A	300	Min. 100	0.3	√
GS22Y200MRC01	140~260							√
GS22Y230MRC	161~299							√
GS22Y300MRC	210~390							√
GS22Y350MRC	245~455							√
GS22Y400MRC	280~520							√
GS22Y450MRC	338~585							
GS22Y500MRC	350~650							

Note1: C is for SMD square type;

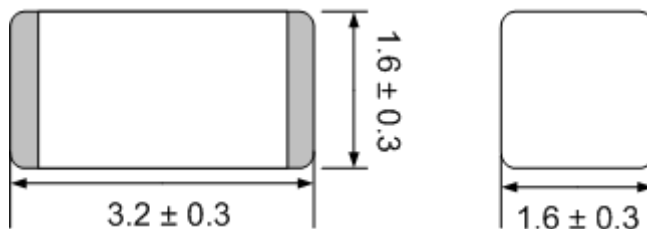
Note2: UL 497B File No: E245070

Note3: Insulation resistance test condition:

DC Spark-over Voltage	DC Measuring Voltage
150-500V	100V

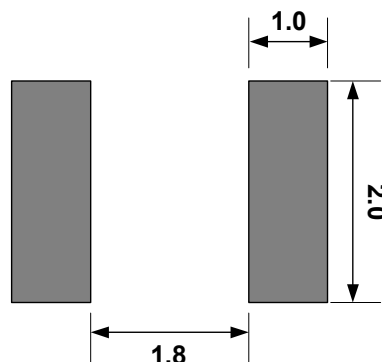
■ Dimension

(Unit: mm)



■ Recommended Pad Size

(Unit: mm)



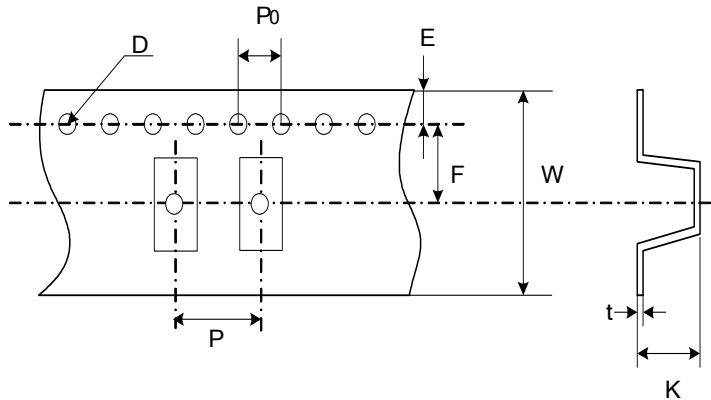
Gas Discharge Tube: GS22Y Series



SMD L3.2 x W1.6 x H1.6 mm Type

■ Packaging

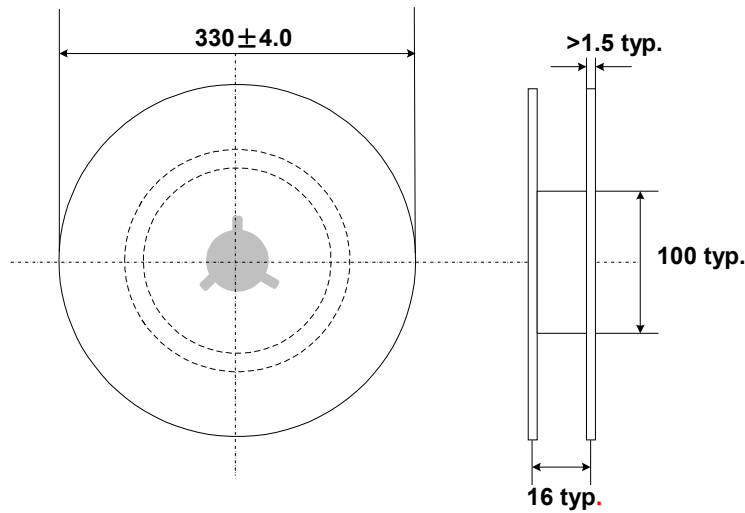
- Taping



Quantity (MPQ): 3,000pcs

(Unit: mm)

Item	P	P0	W	F	E	D	K	t
Spec.	8.0	4.0	12.0	5.45	1.75	Φ1.55	2.0	0.3
Tolerance	±0.1	±0.1	±0.3	±0.1	±0.1	±0.05	±0.1	±0.05



■ Warehouse Storage Conditions of Products

- Storage Conditions:
 1. Storage Temperature: -10°C~+40°C
 2. Relative Humidity: ≤75%RH
 3. Keep away from corrosive atmosphere and sunlight.
- Period of Storage: 1 year