

Gas Discharge Tube: GF32Y Series



SMD L4.5 x W3.2 x H2.7 mm Type

■ Features

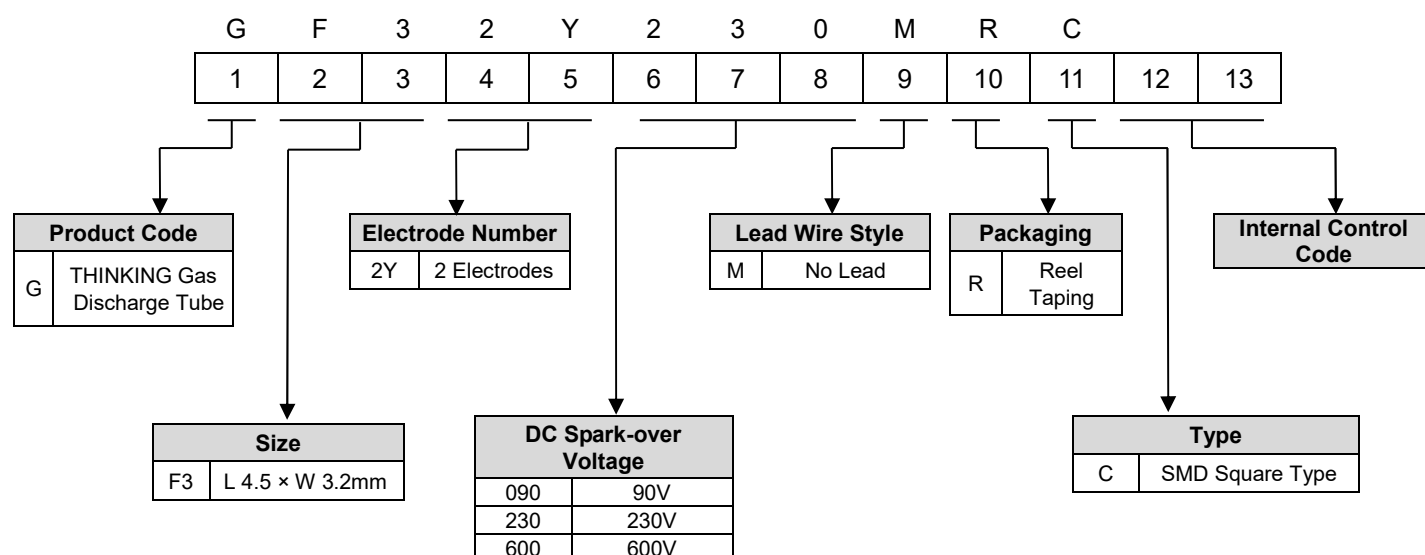
1. RoHS & HF compliant
2. SMD structure
3. DC spark-over voltage: 90~600V
4. Low capacitance
5. Agency recognition: UL
6. Operating temperature: -40°C ~ +125°C
Storage temperature: -40°C ~ +125°C



■ Recommended Applications

1. Cable modem
2. xDSL
3. Set-top box
4. TV sets
5. Ethernet port
6. Consumer electronics

■ Part Number Code



Gas Discharge Tube: GF32Y Series



SMD L4.5 x W3.2 x H2.7 mm Type

Characteristics

Part No.	DC Spark-over Voltage	Max. Impulse Discharge Current	Impulse Withstanding Voltage Capacity	Impulse Life	Minimum Insulation Resistance	Maximum Capacitance	Safety Approvals
	100V/S	8/20 μ s	10/700 μ s	8/20 μ s, 100A		1MHz	
	(V)	(KA)	(KV)	(Time)		(G Ω)	(pF)
GF32Y090MRC	90 \pm 30%	2KA (Positive/ Negative 5 Times)	6KV R=40 Ω (Positive/ Negative 5 Times)	300	1	0.5	√
GF32Y150MRC	150 \pm 20%						√
GF32Y230MRC	230 \pm 20%						√
GF32Y300MRC01	300 \pm 20%						√
GF32Y350MRC	350 \pm 20%						√
GF32Y400MRC	400 \pm 20%						√
GF32Y470MRC	470 \pm 20%						√
GF32Y600MRC	600 \pm 20%						√

Note1: C is for SMD square type

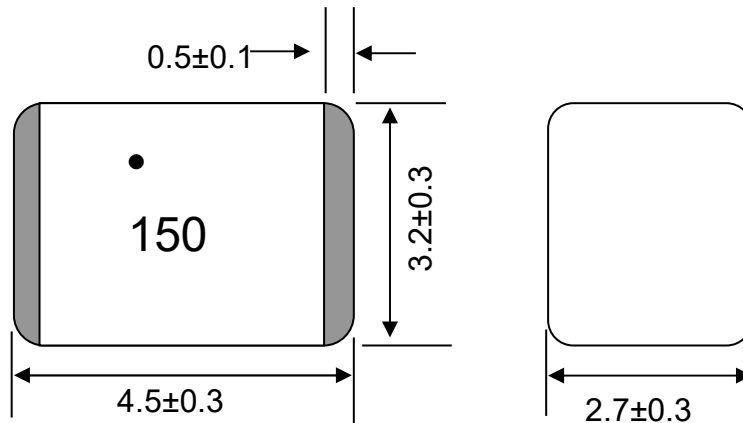
Note2: UL 497B File No : E245070

Note3: Insulation resistance test condition:

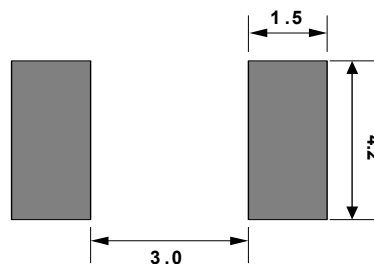
DC Spark-over Voltage	DC Measuring Voltage
90V	50V
150-600V	100V

Dimension

(Unit: mm)



Recommended Pad Size



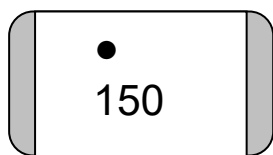
Gas Discharge Tube: GF32Y Series



SMD L4.5 x W3.2 x H2.7 mm Type

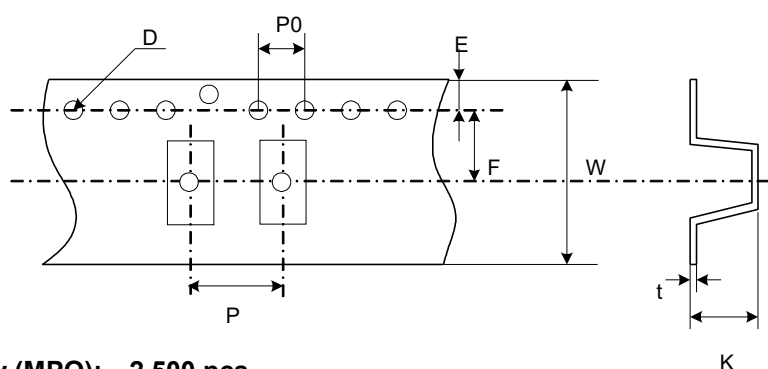
■ Marking

Example: GF32Y150MRC



■ Packaging

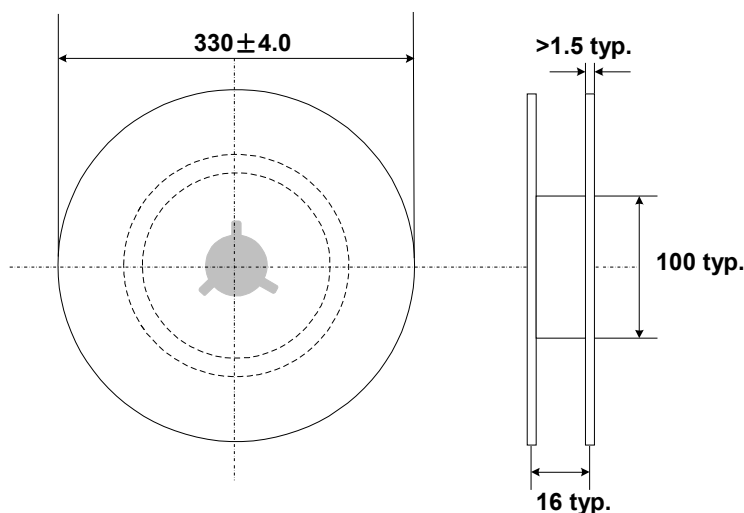
● Taping



Quantity (MPQ): 2,500 pcs

Unit: mm

ITEM	P	P0	W	F	E	D	K	t
Spec.	8.0	4.0	12.0	5.5	1.75	Φ1.55	3.1	0.4
Tolerance	±0.1	±0.1	±0.3	±0.1	±0.1	±0.05	±0.1	±0.05



■ Warehouse Storage Conditions of Products

● Storage Conditions:

1. Storage Temperature: -10°C~+40°C
 2. Relative Humidity: ≤75%RH
 3. Keep away from corrosive atmosphere and sunlight.
1. Period of Storage: 1 year