

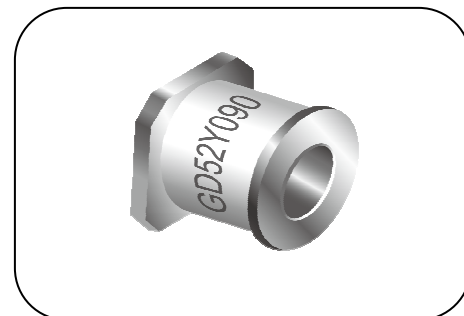
Gas Discharge Tube: GD52Y-M Series



SMD 2-Electrode 5.4 x 5.4 x 4mm Type

■ Features

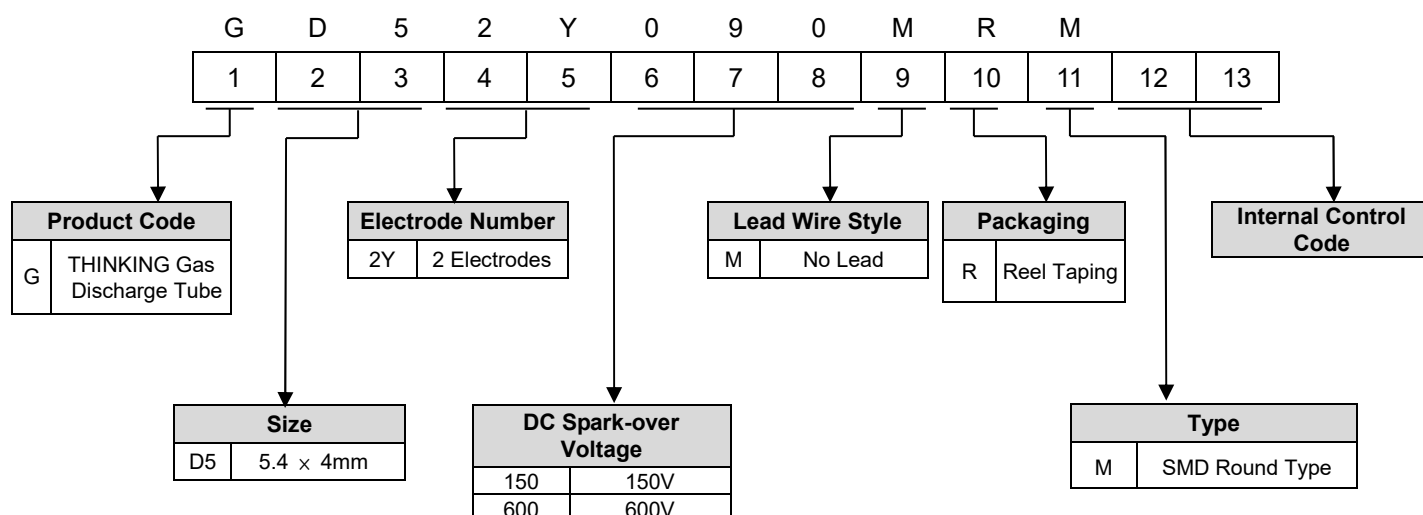
1. RoHS & HF compliant
2. SMD structure
3. DC spark-over voltage: 90~600V
4. Low capacitance
5. Agency recognition: UL
6. Operating temperature: -40°C~ +125°C
Storage temperature: -40°C ~ +125°C



■ Recommended Applications

1. Cable modem
2. xDSL
3. Set-top box
4. TV sets
5. Ethernet port
6. Consumer electronics

■ Part Number Code



Gas Discharge Tube: GD52Y-M Series



SMD 2-Electrode 5.4 x 5.4 x 4mm Type

Characteristics

Part No.	DC Spark-over Voltage	Maximum Impulse Breakdown Voltage	Max. Impulse Discharge Current		Impulse Life (10/1000 μ s)	Minimum Insulation Resistance	Maximum Capacitance (1MHz)	Safety Approvals
	100V/S	1KV/ μ s	1 Time	10 Times	10A			
	(V)	(V)	(KA)	(KA)	(Time)			
GD52Y090MRM	90 \pm 30%	600	5	2.5	100	1	1	√
GD52Y150MRM	150 \pm 20%	600						√
GD52Y230MRM	230 \pm 20%	600						√
GD52Y350MRM	350 \pm 20%	600						√
GD52Y420MRM	420 \pm 20%	650						√
GD52Y470MRM	470 \pm 20%	750						√
GD52Y600MRM	600 \pm 20%	900						√

Note1: M is for SMD round type

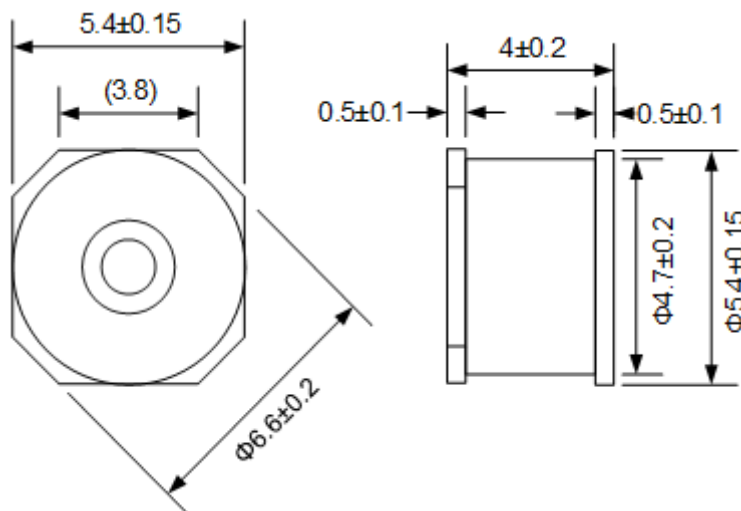
Note2: UL 497B File No: E245070

Note3: Insulation resistance test condition:

DC Spark-over Voltage	DC Measuring Voltage
90V	50V
150-600V	100V

Dimension

(Unit: mm)



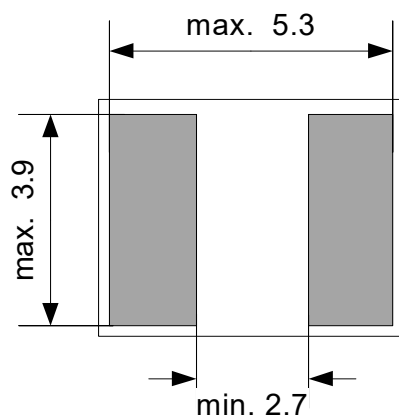
Gas Discharge Tube: GD52Y-M Series



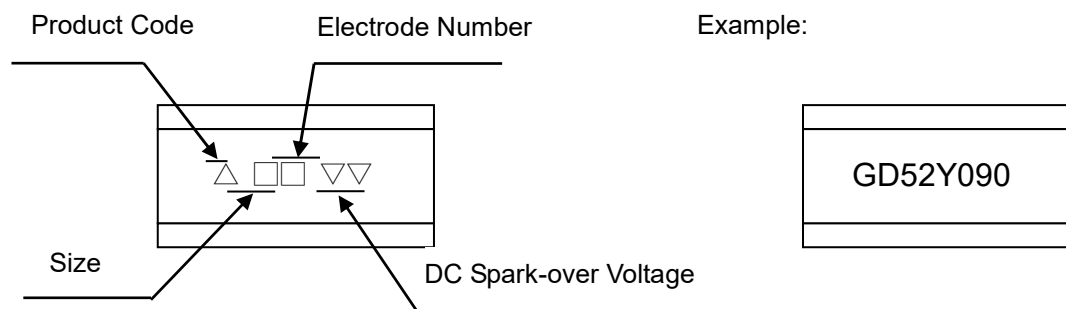
SMD 2-Electrode 5.4 x 5.4 x 4mm Type

■ Recommended Pad Size

(Unit: mm)



■ Marking



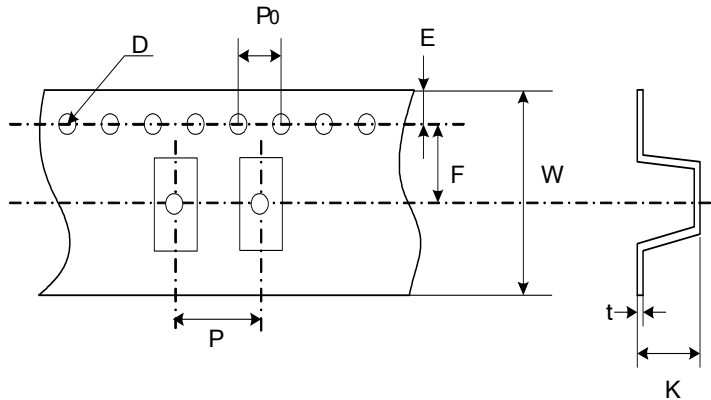
Gas Discharge Tube: GD52Y-M Series



SMD 2-Electrode 5.4 x 5.4 x 4mm Type

■ Packaging

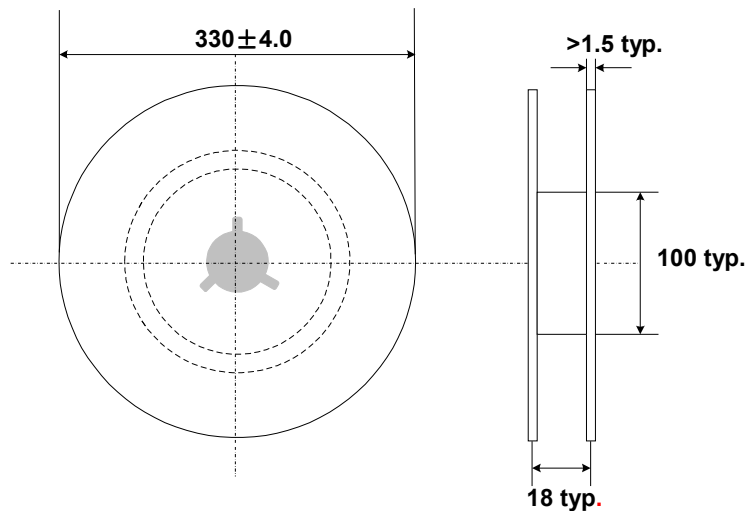
● Taping



Quantity (MPQ): 1,000pcs

(Unit: mm)

Item	P	P0	W	F	E	D	K	t
Spec.	12	4.0	16	7.5	1.75	Φ1.5	5.3	0.4
Tolerance	±0.1	±0.1	±0.3	±0.1	±0.1	±0.1	±0.1	±0.05



■ Warehouse Storage Conditions of Products

● Storage Conditions:

1. Storage Temperature: -10°C~+40°C
2. Relative Humidity: ≤75%RH
3. Keep away from corrosive atmosphere and sunlight.

● Period of Storage: 1 year