

Gas Discharge Tube: G30D12 Series



2-Electrode $\Phi 30$ x T12mm High Surge Type

■ Features

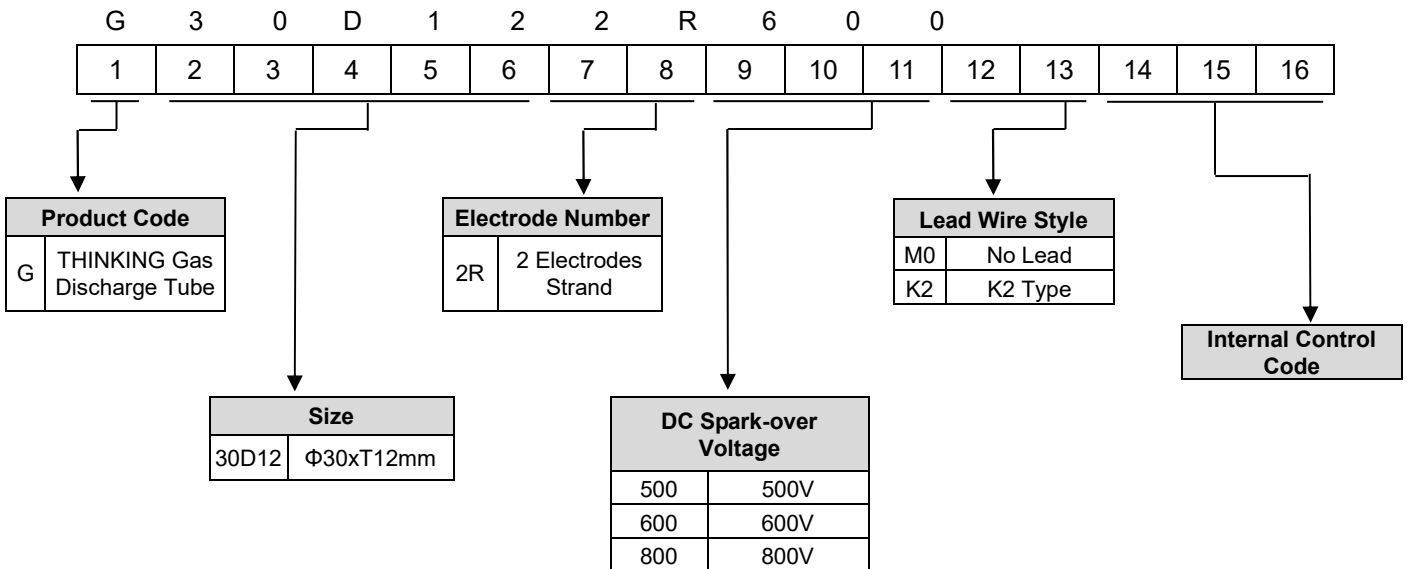
1. RoHS & HF compliant
2. Rugged ceramic-metal construction
3. DC spark-over voltage: 500~800V
4. Follow current at 50/60Hz: 100A
5. Max continuous operating voltage at 50/60Hz: 255V
6. Agency recognition: UL
7. Operating temperature: $-40^{\circ}\text{C} \sim +105^{\circ}\text{C}$
Storage temperature: $-40^{\circ}\text{C} \sim +115^{\circ}\text{C}$



■ Recommended Applications

1. Power system
2. Industrial equipment
3. SPD module

■ Part Number Code



Gas Discharge Tube: G30D12 Series



2-Electrode $\Phi 30$ x T12mm High Surge Type

■ Characteristics

Part No.	DC Spark-over Voltage	Max. Impulse Discharge Current (10/350 μ s)	Max. Impulse Discharge Current (8/20 μ s)		Impulse Discharge Current (10/350 μ s & 8/20 μ s)	Max. Front-of-wave sparkover voltage	Follow Current	Max Continuous Operating Voltage	Maximum Capacitance (1MHz)	Minimum Insulation Resistance (G Ω)	Maximum Breakdown Time (ns)	Safety Approvals
	100V/S	1 time	1 time	10 times		1.2/50us 6KV	50/60Hz	50/60Hz				
	(V)	(KA)	(KA)			(KV)	(V)	(A)				
G30D122R500□□	400-600	40	160	100	6	1300	100	255	10	1	100	√
G30D122R600□□	480-720					1400	100	255				√
G30D122R800□□	640-940					1500	100	255				√

Note 1: The □□ is style of lead wire.

Note 2: UL 1449 4th File No: E314979.

Note 3: Insulation resistance test conditions:

DC Spark-over Voltage	DC Measuring Voltage
500-800V	250V

■ Dimension

(Unit: mm)

Figure 1

M0 : No Lead

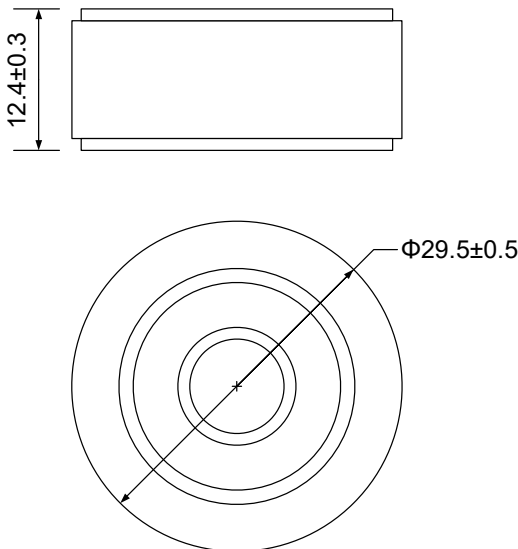
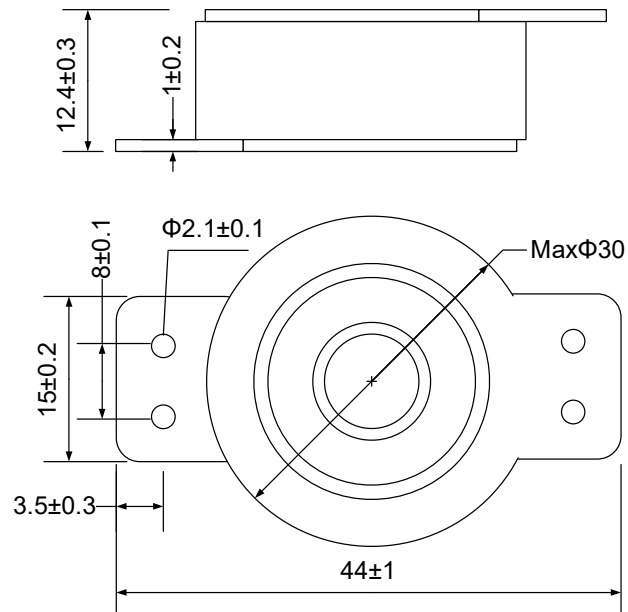


Figure 2

K2 : K2 Type

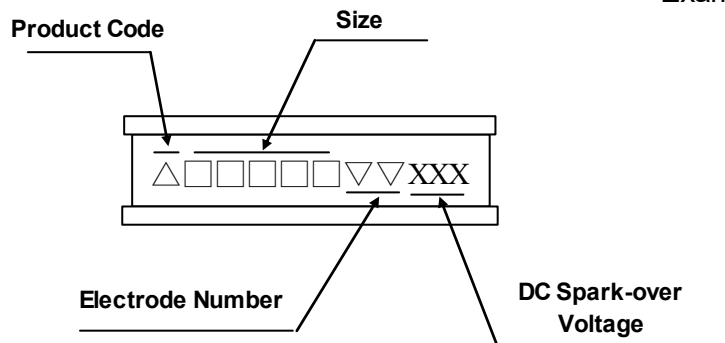


Gas Discharge Tube: G30D12 Series



2-Electrode $\Phi 30$ x T12mm High Surge Type

■ Marking



Example



■ Packaging

- Bulk

■ Warehouse Storage Conditions of Products

- Storage Conditions:
 1. Storage Temperature: $-10^{\circ}\text{C} \sim +40^{\circ}\text{C}$
 2. Relative Humidity: $\leq 75\% \text{RH}$
 3. Keep away from corrosive atmosphere and sunlight.
- Period of Storage: 1 year